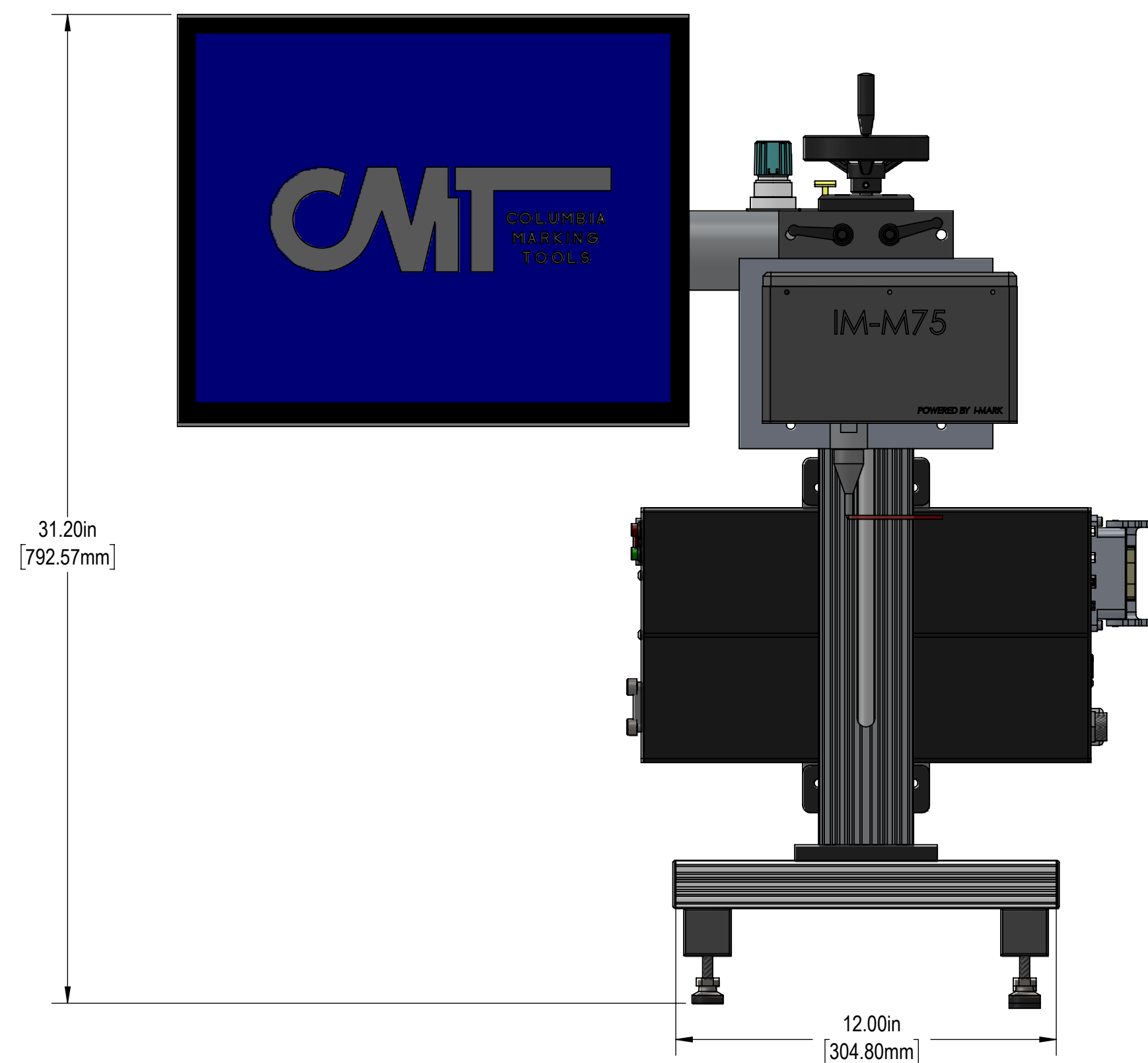
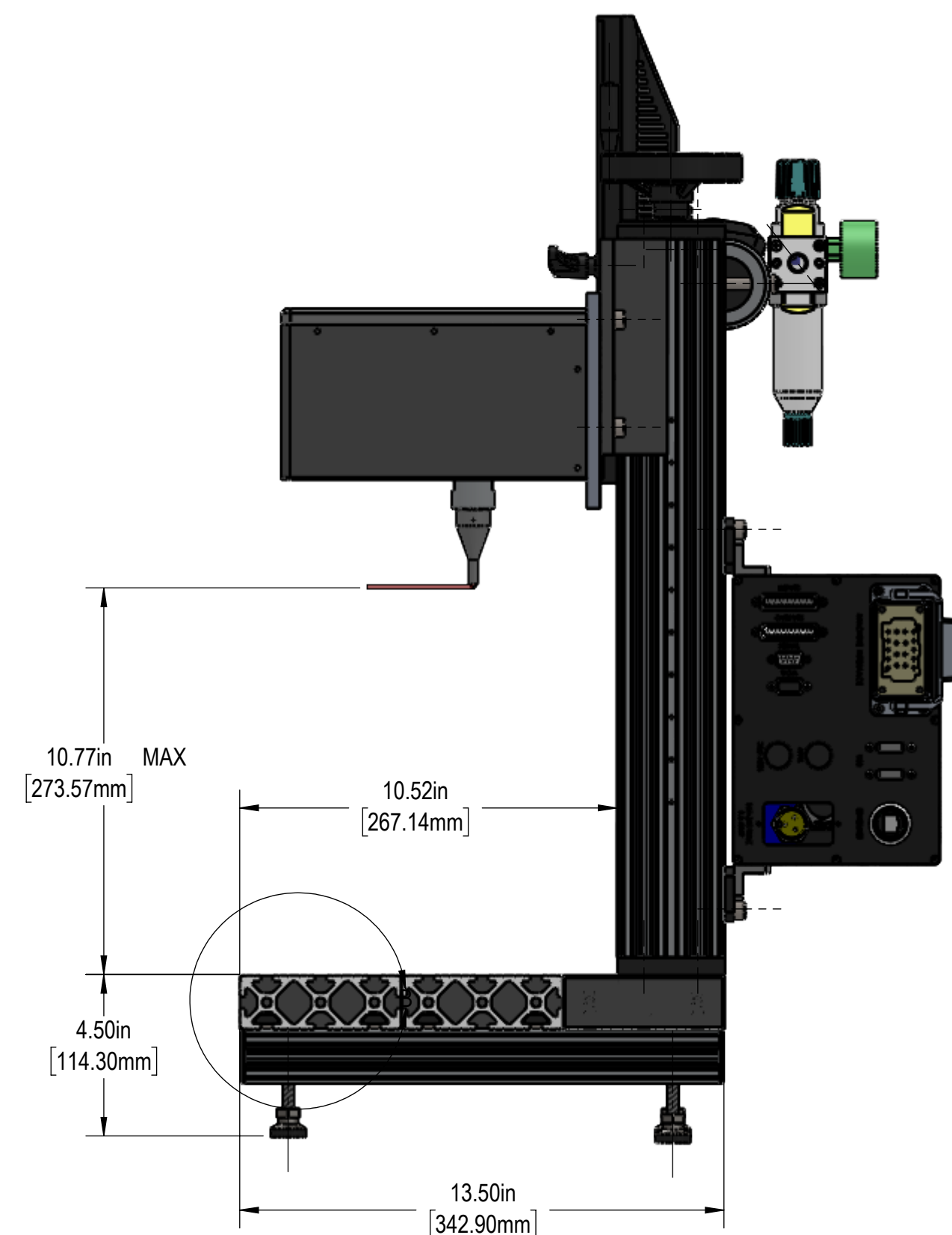


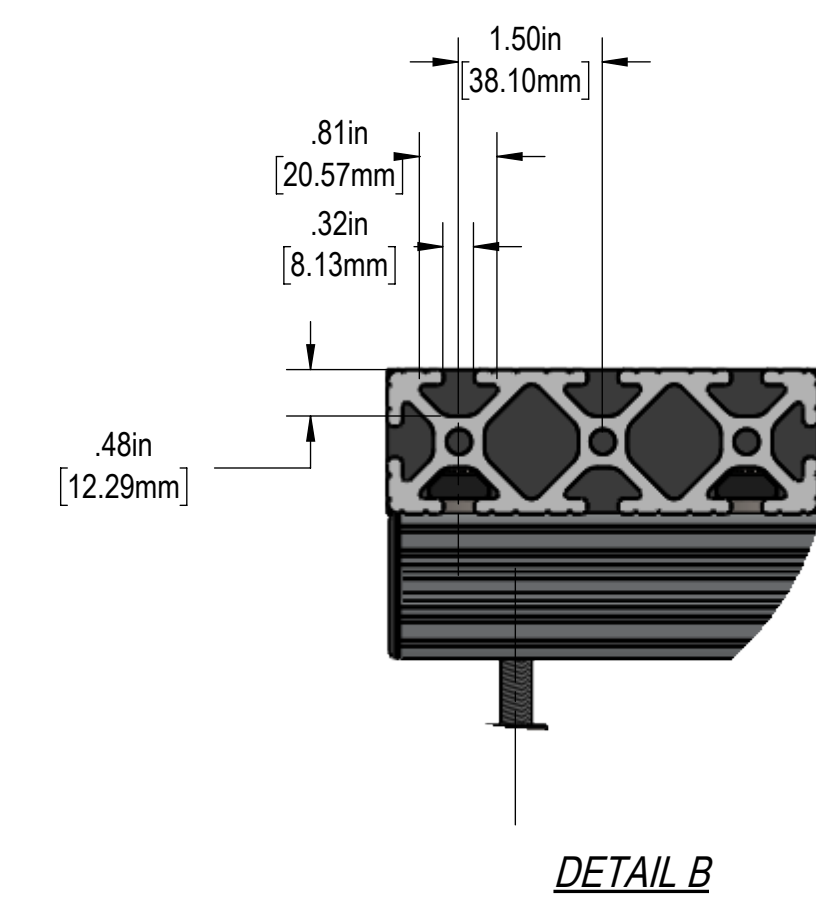
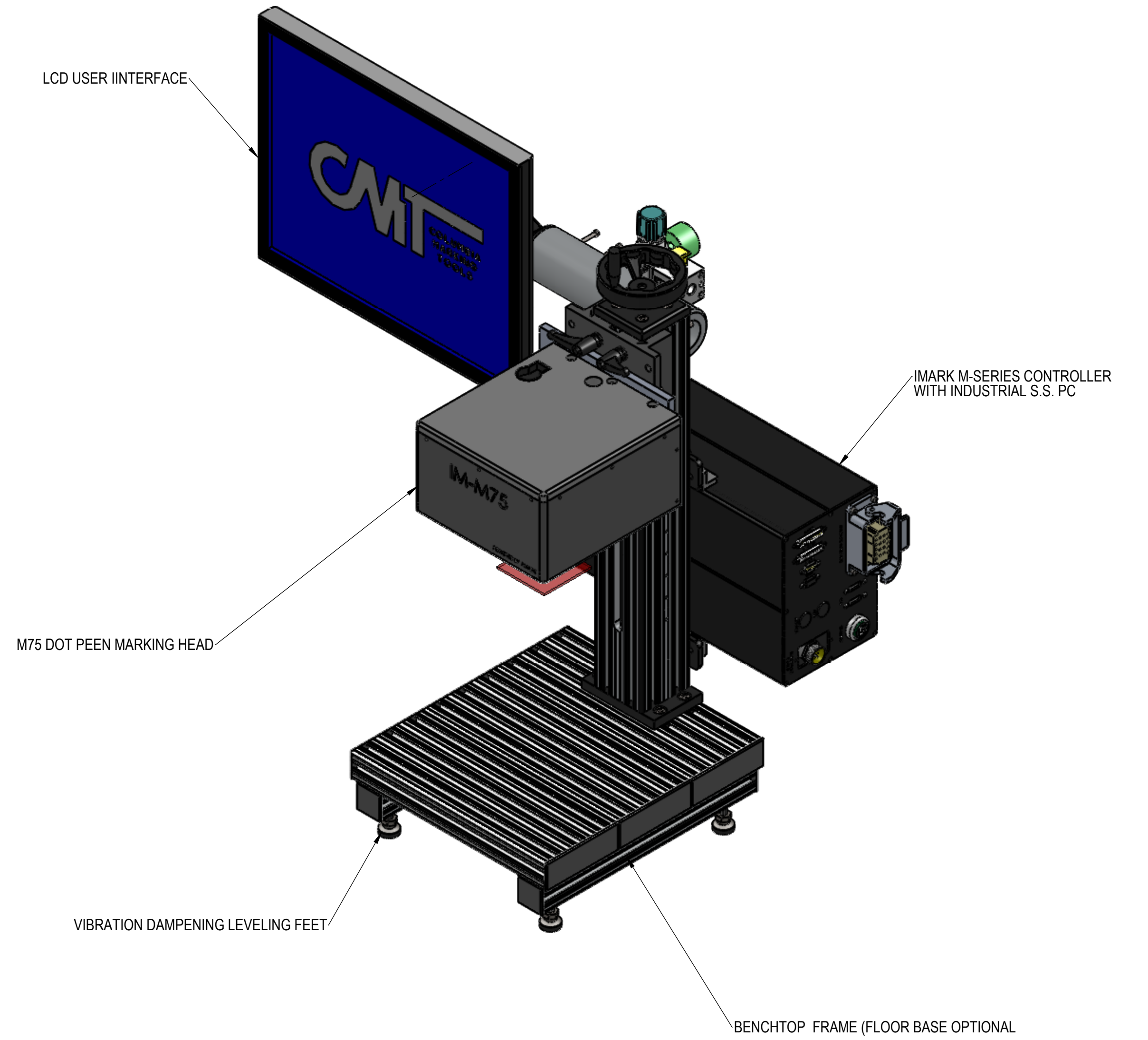
TOP VIEW



FRONT VIEW



RH SIDE VIEW



DETAIL B

REVISIONS				
ZONE	REV.	DESCRIPTION	DATE	APPROVED
A2	A	CUSTOMER DRAWING GENERATED	05/01/10	AJH
A2	B	ADDED DATA PER REQUESTS	4/28/2020	AJH

UNLESS OTHERWISE SPECIFIED:
 DIMENSIONS ARE IN INCHES
 TOLERANCES:
 FRACTIONAL: ± .005
 ANGULAR: MATCH ± .01
 BEND ± .01
 TWO PLACE DECIMAL ± .005
 THREE PLACE DECIMAL ± .001
 MATERIAL: ALUMINUM
 FINISH: ANODIZED
 PROPRIETARY AND CONFIDENTIAL
 THE INFORMATION CONTAINED IN THIS DRAWING IS THE SOLE PROPERTY OF COLUMBIA MARKING TOOLS. ANY REPRODUCTION IN PART OR AS A WHOLE WITHOUT THE WRITTEN PERMISSION OF COLUMBIA MARKING TOOLS IS PROHIBITED.

CMT COLUMBIA MARKING TOOLS
 27430 LUCKING DRIVE CHESTERFIELD, MI 48070

IM-M75 MARKING HEAD DIMENSIONAL LAYOUT

SIZE: DWG. NO. **D** M75 - DIMENSIONAL_RevB
 SCALE: 1/4" = 1" WEIGHT: SHEET 1 OF 1

ND5 - DIMENSIONAL_RevB